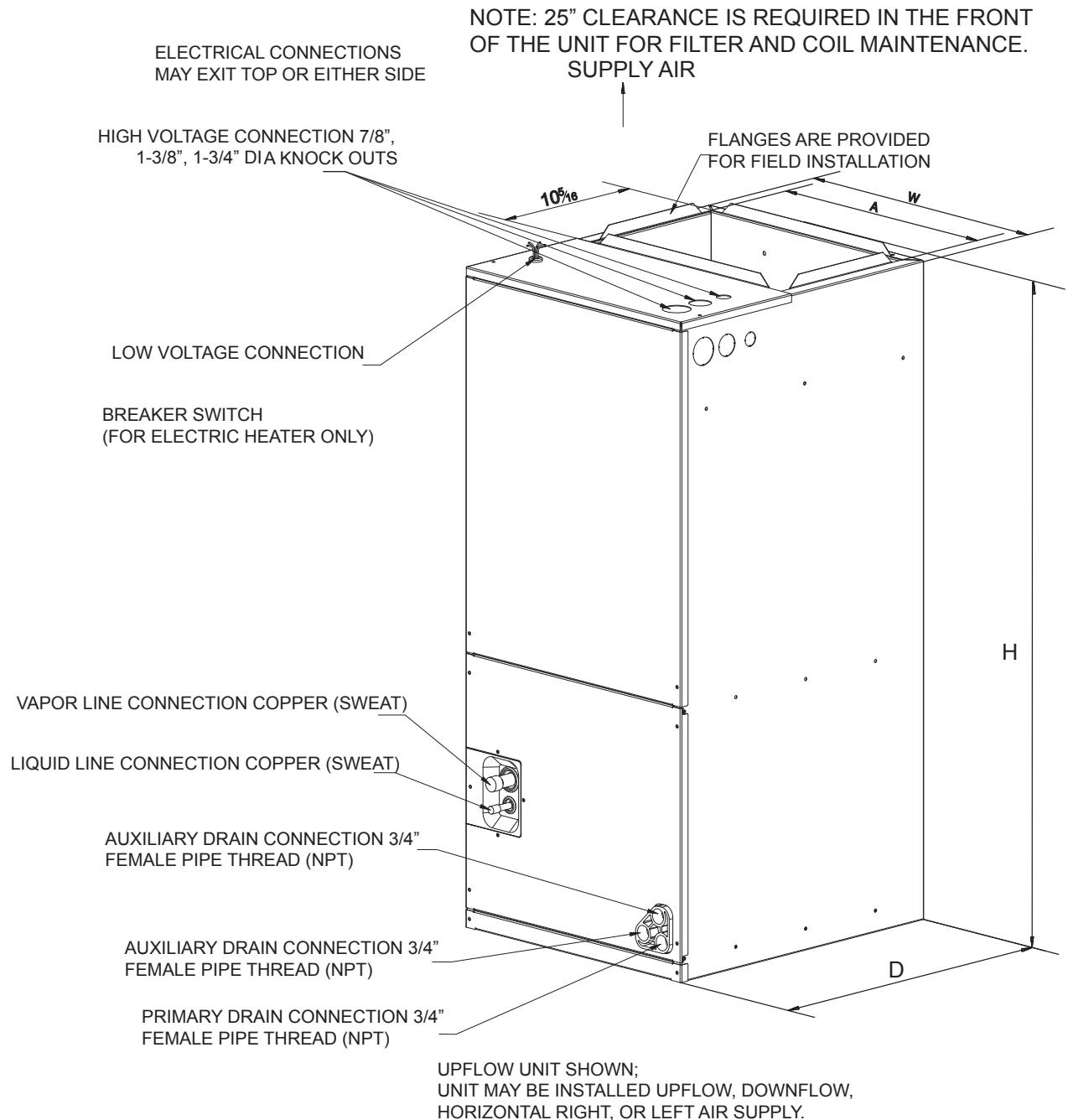


# Submittal

## AMC60S1A - 2 Ton Constant Torque Air Handler



Note: All dimensions are in mm/inches.

AMC60S1A	H	W	D	A
	1385 (54-1/2)	560 (22)	610 (24)	496 (19-1/2)

## PRODUCT SPECIFICATIONS:

<b>MODEL</b>	<b>AMC60S1A</b>
RATED VOLTS/PH/HZ.	208-230/1/60
RATINGS	See O.D. Specifications
<b>INDOOR COIL — Type</b>	Plate Fin
Rows — F.P.I.	4 - 17
Face Area (sq. ft.)	5.99
Tube Size (in.)	9/32
Refrigerant Control	Orifice
Drain Conn. Size (in.)	3/4 NPT
DUCT CONNECTIONS	See Outline Drawing
<b>INDOOR FAN — Type</b>	Centrifugal
Diameter-Width (In.)	13 X 10-5/8
No. Used	1
Drive - No. Speeds	Direct - 5
CFM vs. in. w.g.	See Fan Performance Table
No. Motors — H.P.	1 - 3/4
Motor Speed R.P.M.	1050
Volts/Ph/Hz	208-230/1/60
F.L. Amps	5.2
Filter Furnished	No
Type Recommended	Throwaway
No.-Size-Thickness	1 - 20 X 22 - 1 in.
<b>REFRIGERANT</b>	R-410A
Ref. Line Connections	Brazed
Coupling or Conn. Size — in. Gas	7/8
Coupling or Conn. Size — in. Liq.	3/8
<b>DIMENSIONS</b>	H x W x D
Crated (In.)	55-3/16x24-11/16x27-11/16
Uncrated	54-1/2x22x24
Shipping (Lbs.) / Net (Lbs.)	177/159



# Submittal AMC60S1A

## FEATURES:

- Available for cooling and heat pump applications
- Multi-speed ECM blower motor
- Factory-sealed cabinet certified to achieve 2% or less leakage rate at 1.0 inch water column
- Multi-position Installation
- Horizontal and vertical condensate drain pans standard
- Blower and coil slide out for ease of maintenance
- Field Installed heater kits are optional: 5/7.5/10/15/20kW
- AHRI Listed & ETL Certified



Heater Kit Model Used	Electric Heat (kW)	Min. Circuit Ampacity		Max. Fuse or Breaker (HACR) Ampacity		Minimum Heating Blower Speed	
		230V	208V	230V	208V	Without HP	With HP
EHK-05A(UL)	5	31.8	28.3	35	30	Low	Low
EHK-08A(UL)	7.5	44.8	39.6	45	40	Low	Low
EHK-10A(UL)	10	57.8	50.9	60	60	Low	Low
EHK-15B(UL)	15	57.8/26.1	50.9/22.6	60/30	60/25	Low	Low
EHK-20B(UL)	20	57.8/52.1	50.9/45.2	60/60	60/50	MIDDLE	MIDDLE

Motor Speed		AIR FLOW PERFORMANCE								
		Factory set at Medium High Speed								
		External Static Pressure-Inches W.C. (kPa)								
			0(0)	0.1(.02)	0.2(.05)	0.3(.07)	0.4(.10)	0.5(.12)	0.6(.15)	0.7(.17)
1	CFM	1344	1284	1226	1151	1076	946	904	893	869
2	CFM	1531	1477	1418	1366	1299	1239	1138	1064	1001
3	CFM	1647	1592	1538	1490	1436	1378	1315	1215	1140
4	CFM	1875	1822	1774	1729	1677	1629	1581	1533	1473
5	CFM	2021	1967	1924	1879	1828	1785	1742	1694	1641