
Comfort-Aire®

 **Century**®

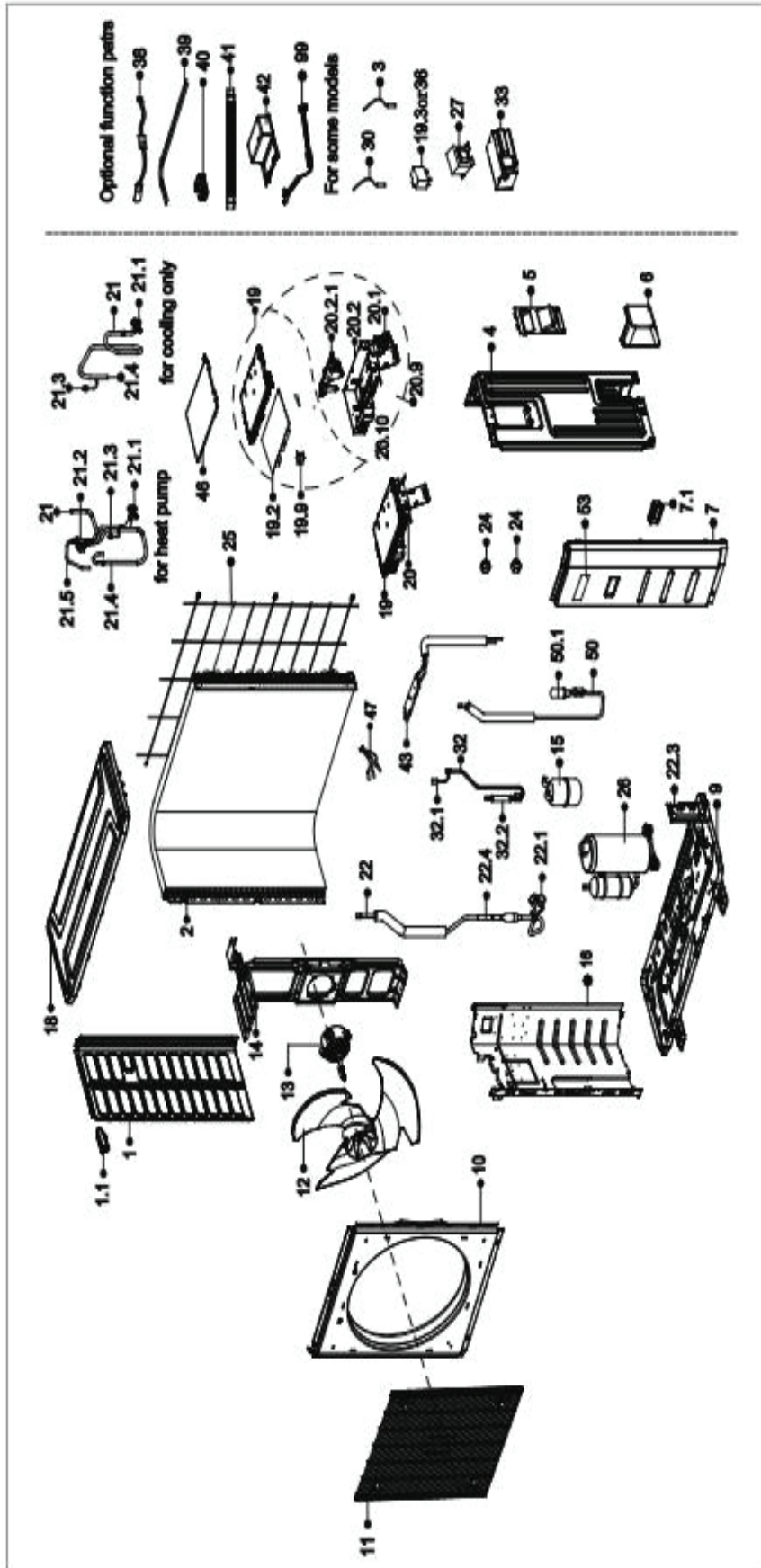
MARS®
Delivering Confidence

REPLACEMENT PARTS LIST

**Inverter Single Zone Outdoor
Ductless Mini Split**

A-VHP33SA-1

EXPLODED VIEW



REPLACEMENT PARTS

Location	Part Name	Quantity	Part No.
1	Left supporter	1.0	12222500000591
1.1	Small handle	1.0	12100701000033
2	Condenser assembly	1.0	15822000014890
4	Rear right side plate assembly	1.0	12222000019926
5	Handle	1.0	12222000011085
6	Water collector	1.0	12122200002695
7	Front right side plate assembly	1.0	12222500A00135
7.1	Handle	1.0	12100702000038
9	Chassis assembly	1.0	12222000004018
10	Front panel	1.0	12222000A01431
11	Air outlet grille	1.0	12222000014845
12	Axial flow fan	1.0	12100105000281
13	Motor	1.0	11002015014108
14	Motor bracket assembly	1.0	12222500000547
16	Partition board subassembly	1.0	12222000012328
18	Top cover assembly	1.0	12222500000587
19	Electronic control box subassembly	1.0	17222000043364
19.2	Outdoor main control board subassembly	1.0	17122000062958
19.9	Fan motor wire joint subassembly	1.0	17401203026201
20	Electronic control box terminal board assembly	1.0	17222000043583
20.1	Terminal block	1.0	17400401006516
20.1	Terminal block	1.0	17400401000097
20.2	Terminal board assembly	1.0	12222000019365
20.2.1	U-Typed Support with Copper Pipe	1.0	12122000033782
20.9	Electronic installing box	1.0	12122000032940
20.10	Key board assembly	1.0	17122000062361
21	4-way valve assembly	1.0	15422000025698
21.1	Gas valve	1.0	15500204000662
21.2	4-way valve	1.0	15500216002483
21.3	Pressure switch	1.0	17400516000848
21.4	Suction pipe	1.0	15122000033042
21.5	Discharge pipe subassembly	1.0	15122000032498
22	High pressure valve assembly	1.0	15422000025680
22.1	High pressure valve	1.0	15500208000286
22.3	Valve plate	1.0	12222200000611
22.4	Throttle valve	1.0	15500210002048
24	Copper nut	1.0	15500406000010
24	Copper nut	1.0	15500406000008
25	Rear Grille	1.0	12222000006604
26	Compressor	1.0	11103020011659
32	Discharge pipe subassembly	1.0	15122000032482
32.1	Pressure switch	1.0	17400516000851
32.2	Muffler	1.0	15500506000005
38	Crankcase electric heater	1.0	17402001000601
39	Electric heater of chassis	1.0	17402002000466
43	Radiator	1.0	15122000033880
46	Cover of electronic control box	1.0	12222000018405
47	Combination sensor	1.0	11201011001107
50	Electronic expansion valve subassembly	1.0	15422000025699
50.1	Electronic expansion valve	1.0	15500213000265
53	Outdoor unit trademark	1.0	16000201001228
99	Compressor connection cable	1.0	17401203000751

Due to ongoing product improvements, specifications and dimensions are subject to change and correction without notice or incurring obligations. Determining the application and suitability for use of any product is the responsibility of the installer. Additionally, the installer is responsible for verifying dimensional data on the actual product prior to beginning any installation preparations.

Incentive and rebate programs have precise requirements as to product performance and certification. All products meet applicable regulations in effect on date of manufacture; however, certifications are not necessarily granted for the life of a product. Therefore, it is the responsibility of the applicant to determine whether a specific model qualifies for these incentive/rebate programs.

Comfort-Cire®  **Century**®

1900 Wellworth Ave., Jackson, MI 49203 • Ph. 517-787-2100 • www.marsdelivers.com



Comfort-Aire®

 **Century**®

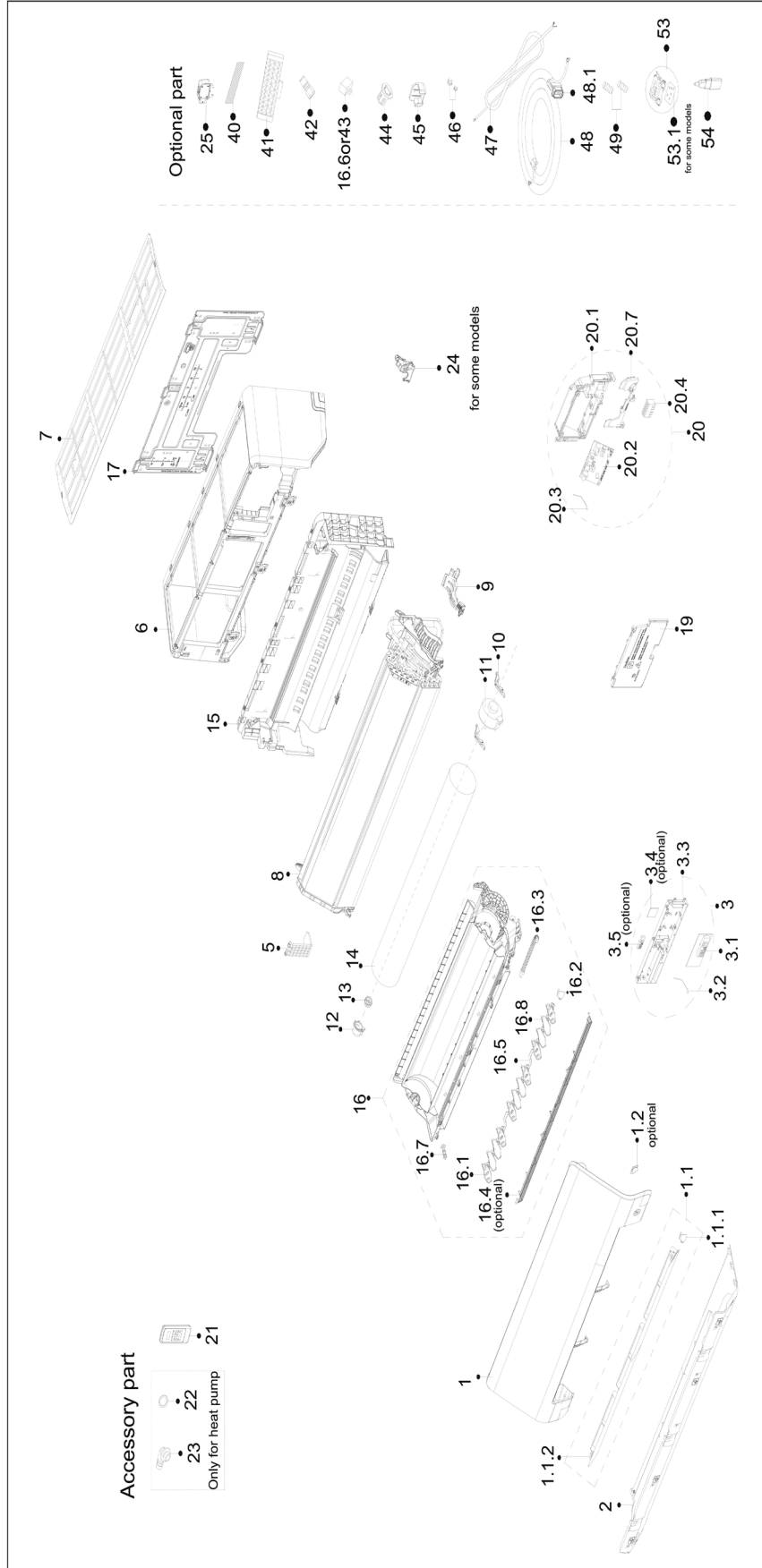
MARS®
Delivering Confidence

REPLACEMENT PARTS LIST

**Inverter Single Zone Outdoor
Ductless Mini Split**

B-VHP33SA-1

EXPLODED VIEW



REPLACEMENT PARTS

Location	Part Name	Quantity	Part No.
1	Panel assembly	1.0	12122000027825
1.1	Panel assembly	1.0	12122000027828
1.1.1	Stepper motor	2.0	11002010000326
1.1.2	Horizontal louver	1.0	12122000027411
2	Panel assembly	1.0	12122000027414
3	Display box assembly	1.0	17222000044154
3.1	Display board assembly	1.0	17122000062305
3.2	Ambient temperature sensor subassembly	1.0	11201007003103
3.3	Display box	1.0	12122000026921
3.5	adapter board subassembly	1.0	17122000063852
5	Chassis supporter	1.0	12122000027407
6	Panel frame assembly	1.0	12122000027416
7	Air filter	1.0	12122000027419
8	evaporator assembly	1.0	15822000015306
9	Pipe clamp board	1.0	12122000027408
10	Fixing plate for fan motor	2.0	12122000012959
11	Motor	1.0	11002015017613
12	bearing holder	1.0	12122000000350
13	bearing base	1.0	12622000000131
14	Cross flow fan	1.0	12100102000716
15	Chassis assemble((above)	1.0	12122000027405
16	Chassis assemble((below)	1.0	12122000027841
16.1	louver	6.0	12122000027423
16.2	Stepper motor	1.0	11002010001486
16.3	Drain pipe joint	1.0	12100501000032
16.4	Air outlet Protective wire	1.0	12922000002131
16.5	Connecting rod of louver	1.0	12122000027422
16.7	Drainage plug	1.0	12622000000030
16.8	louver	6.0	12122000027421
17	Installation plate	1.0	12222000A06972
19	Cover of electronic control box	1.0	12122000027418
20	Structural components of indoor electric control box	1.0	17222000043362
20.1	Electronic control box	1.0	12122000027403
20.2	Indoor main control board subassembly	1.0	17122000062972
20.3	Pipe temperature sensor subassembly	1.0	11201007003444
20.4	Terminal block	1.0	17400401000577
20.7	Electric control box bracket	1.0	12122000027404
21	remote controller	1.0	17317000012079
24	Ratproof plate subassembly	1.0	12122000028101
25	Gas sensor	1.0	11201003000364
40	Air freshening filter	1.0	12100204000685
42	Detection valve	1.0	15500209000002
46	Copper nut	1.0	15500406000010
46	Copper nut	1.0	15500406000008

Due to ongoing product improvements, specifications and dimensions are subject to change and correction without notice or incurring obligations. Determining the application and suitability for use of any product is the responsibility of the installer. Additionally, the installer is responsible for verifying dimensional data on the actual product prior to beginning any installation preparations.

Incentive and rebate programs have precise requirements as to product performance and certification. All products meet applicable regulations in effect on date of manufacture; however, certifications are not necessarily granted for the life of a product. Therefore, it is the responsibility of the applicant to determine whether a specific model qualifies for these incentive/rebate programs.

Comfort-Cire®  **Century**®

1900 Wellworth Ave., Jackson, MI 49203 • Ph. 517-787-2100 • www.marsdelivers.com

